



2~3HP



5~7.5HP

Optional

50HZ



EAF pumps with guide rail device (Q.D.C-Quick Discharge Connection)

Optional



EAF pumps with SUS304 strainer

Features

- Non-clogging impeller minimizes abrasives wear and allows large solid passage.
- Dry motor with overload protector, cable with an epoxy resin sealed water-proof cable hood, high grade cast iron pump casing and motor housing, deep groove C3 bearing to extend life time.
- Superior abrasion resistant double mechanical seal made of silicon carbide to ensure best seal effect.
- Guide Rail Device is available for safety purpose.
- Oil seal mounted outside of seal chamber stops solids gathering around seal faces.

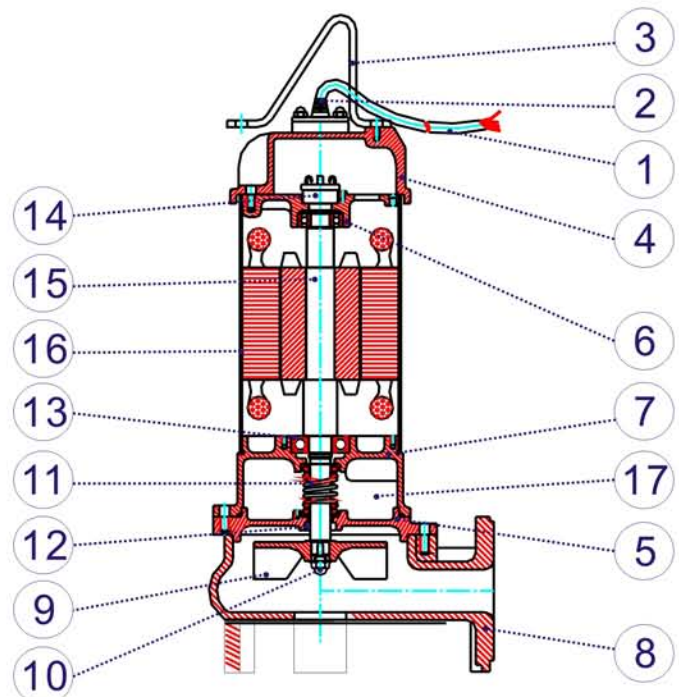
Parts and Materials List

| No. | Parts | Std. Material |
|-----|--------------------|------------------------|
| | | EAF Model |
| 1 | Cable | STOW or VCT |
| 2 | Cable hood | PVC |
| 3 | Handle | SS400 |
| 4 | Motor cover | FC200 |
| 5 | Seal housing | FC200 |
| 6 | Bracket | FC200 |
| 7 | Oil chamber | FC200 |
| 8 | Pump casing | FC200 |
| 9 | Impeller | FC200 |
| 10 | Nut | SUS304 |
| 11 | Mech. seal | SIC/SIC |
| 12 | Oil seal | NBR |
| 13 | Bearing | (NTN brand) |
| 14 | Overload protector | (T.I.brand) |
| 15 | Shaft | SUS410 |
| 16 | Motor housing | FC200 |
| 17 | Lubricant oil | (Turbine Oil ISO VG46) |

• Mech.seal (sic/sic)material is optional upon request.

Applications

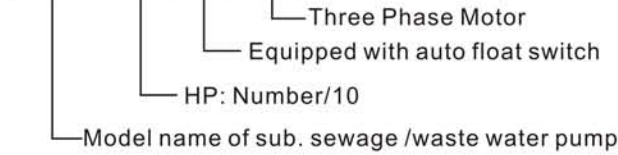
- Waste water drainage from all industries.
- Sewage drainage from hotels, restaurants, schools, malls, and public buildings..etc.
- Fishery, animal husbandry, stock farm, piggery, and fecal sewage tank in water treatment plant.
- Drainage of waste water containing fibrous additives from leather factories, dyeing factories and food processing plants.



50HZ

Model Code

EAF-20(A)(T)



Non-clogging Vortex impeller
It can allow long fibrous materials and other solid waste to pass through. No clogging impeller.



Auto float switch
Single phase sub. pump equipped with auto float switch.(2hp)

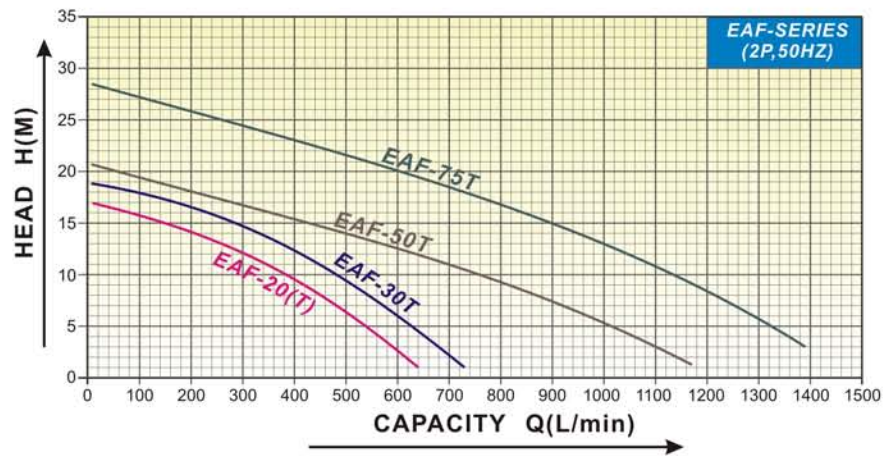
Operating Conditions

- Water temperature: 0~40°C.
- Ambient temperature: 0~40°C.
- Solid passage: 35~50MM.
- Operating water depth: Max.10M.
- No 24hrs continuously running.
- No use in (100%)pure sea water.

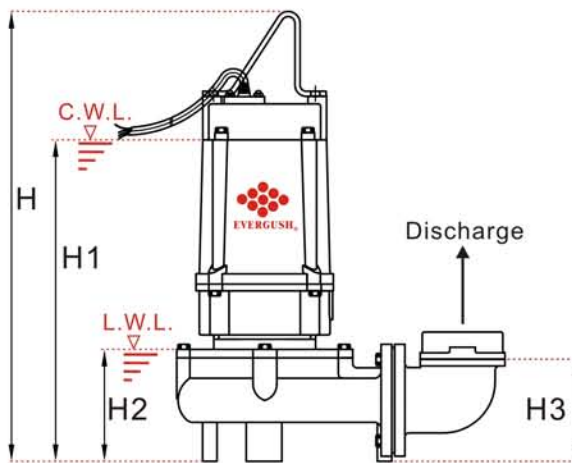
Motor Spec.

- 2P dry type motor.
- Insulation: F class.
- Protection: IP68.
- Frequency: 50HZ.
- Voltage: 1ø220~240V(only 2HP).
- Voltage: 3ø220~440V(all models).

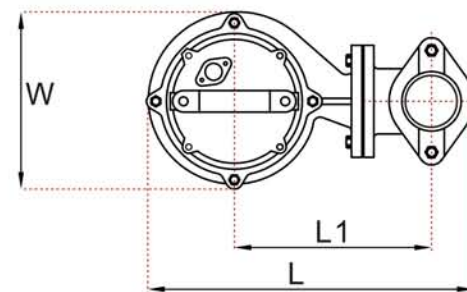
Performance Curves



Specification & Dimensions



C.W.L.: Continuously Running Water Level.
L.W.L.: Lowest Running Water Level.



NOTE: Forbid running submersible pumps continuously under L.W.L.

| Model | Power | | Disch. Inch | Phase φ | Rated | | Max. | | Dimensions (mm) | | | | | | | Cable M | Net Weight KG | Solid Passage MM |
|--------------|-------|-----|-------------|---------|--------|--------------|--------|----------|-----------------|-----|-----|-----|-----|-----|-----|---------|---------------|------------------|
| | KW | HP | | | Head M | Capacity LPM | Head M | Cap. LPM | L | L1 | W | H | H1 | H2 | H3 | | | |
| | | | | | | | | | | | | | | | | | | |
| EAF-20(A)(T) | 1.5 | 2 | 2"(3") | 1,3 | 9~10 | 420~380 | 17.0 | 650 | 385 | 233 | 210 | 530 | 379 | 132 | 121 | 5 | 33 | 35 |
| EAF-30T | 2.2 | 3 | 2"(3") | 3 | 10~11 | 480~450 | 19.0 | 750 | 385 | 233 | 210 | 560 | 409 | 132 | 121 | 5 | 37 | 35 |
| EAF-50T | 3.7 | 5 | 3"(4") | 3 | 11~14 | 700~500 | 21 | 1200 | 459 | 256 | 227 | 625 | 465 | 182 | 200 | 5 | 62 | 50 |
| EAF-75T | 5.5 | 7.5 | 3"(4") | 3 | 13~15 | 1000~900 | 28.5 | 1450 | 459 | 256 | 227 | 665 | 505 | 182 | 200 | 5 | 67 | 50 |

Remarks: ●(A): Equipped with automatic float switch. ●(T): Three phase motor. ●10M cable are available for all models per special request.

50HZ



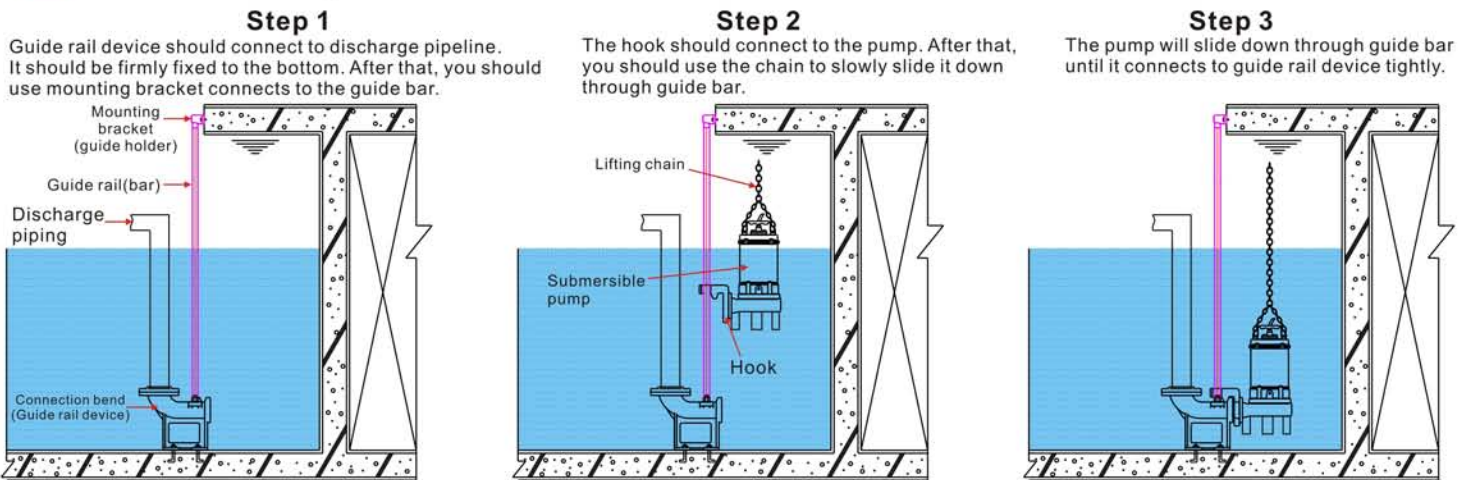
Product Features:

- Through simple and convenient installation, we can connect the pump onto guide rail device. Whenever the pump needs maintenance, it can be easily pulled out through guide bar to dismantle, repair or examine the pump. For safety purpose, The workers no longer need to go down the septic tank to do maintenance. It will greatly reduce down time.

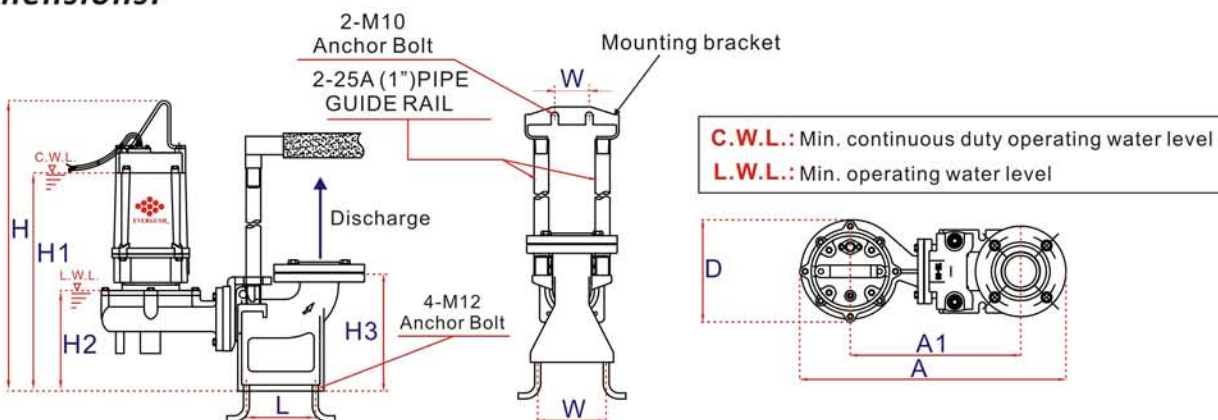
Applications:

- Animal husbandry and dairying septic tank waste water drainage; sewers, apartments, buildings and basements sewage treatment equipment drainage; Dye house, fur and leather industry and steel industry waste water drainage; other waste water treatments drainage.

Installation Diagram:



Dimensions:



| Model | Power | Disch. | Dimensions(mm) | | | | | | | | | | Weight(KG) | |
|---------------|-------|--------|----------------|-----|-----|-----|-----|-----|-----|-----|-----|----|------------|------------|
| | HP | Inch | A | A1 | D | H | H1 | H2 | H3 | L | W | W1 | TOS Device | TOS & PUMP |
| TOS-EAF-20(T) | 2 | 2"~3" | 547 | 352 | 210 | 607 | 455 | 210 | 243 | 110 | 140 | 70 | 16 | 49 |
| TOS-EAF-30T | 3 | 2"~3" | 547 | 352 | 210 | 637 | 485 | 210 | 243 | 110 | 140 | 70 | 16 | 53 |
| TOS-EAF-50T | 5 | 3"~4" | 725 | 515 | 230 | 733 | 573 | 290 | 310 | 160 | 150 | 70 | 24 | 86 |
| TOS-EAF-75T | 7.5 | 3"~4" | 725 | 515 | 230 | 773 | 613 | 290 | 310 | 160 | 150 | 70 | 24 | 91 |

Remarks: ● TOS means cast iron guide rail device.(Q.D.C:Quick Discharge Device) ● "T" means 3 phase motor.